

Inspired by reliability

One of the best ways to keep your customers happy is to provide them with products that make their job easier. At construction sites everywhere, we kept seeing skilled electrical engineers losing time and having a tough job connecting cables. Simply because there wasn't a product on the market that allowed them to do their job safely, reliably and faster. That's where the story of RELICON cable joints begins. What they do is link maximum protection and reliability in just a fraction of the time. Our high-quality, efficient and safe RELICON cable joints and other installation products can be used in industrial buildings, outdoors, underground or submerged. Join the ranks of satisfied electrical engineers and find the right connection for your needs in our separate RELICON catalogue at www.HellermannTyton.com/RELICON

Would you like to add products directly to your watchlist?

- Click on the **URL** or **scan the QR code** at the **bottom of each product page**.
- **Choose** interesting **products** and **add** them **directly to My watchlist**.
- **Save** these **favourites** for later visits, **download** them as Excel list, **add** desired **quantities** and **request a quote**.

1.1 Cable Ties and Fixings
Cable ties, made twisted

Cable ties for outdoor use (UV-resistant)
Twisted & braided black

These cable ties are made from high-strength polypropylene and are designed for use in outdoor applications. They are resistant to UV radiation and provide long-term protection for cables and wires. They are also resistant to moisture and corrosion.

Features and benefits

- UV-resistant & suitable for outdoor use in any region of the world
- Heat-stable (UL94 V-0) for high-temperature applications
- Resistant to moisture and corrosion
- No lubrication or special tools required for installation
- Available in various lengths and widths

Material specifications
Please see page 35.

Specific part numbers according to EN/IEC standards are required.

TYPE	Width (mm)	Length (mm)	Number of strands	Material	Colour	Part number	Stock	Part no. (UK)
HT10	10	100	2	PP	Black	HT10-100-2	1000	1000
HT15	15	100	2	PP	Black	HT15-100-2	1000	1000
HT20	20	100	2	PP	Black	HT20-100-2	1000	1000
HT25	25	100	2	PP	Black	HT25-100-2	1000	1000
HT30	30	100	2	PP	Black	HT30-100-2	1000	1000
HT40	40	100	2	PP	Black	HT40-100-2	1000	1000
HT50	50	100	2	PP	Black	HT50-100-2	1000	1000
HT60	60	100	2	PP	Black	HT60-100-2	1000	1000
HT75	75	100	2	PP	Black	HT75-100-2	1000	1000
HT100	100	100	2	PP	Black	HT100-100-2	1000	1000
HT150	150	100	2	PP	Black	HT150-100-2	1000	1000
HT200	200	100	2	PP	Black	HT200-100-2	1000	1000
HT250	250	100	2	PP	Black	HT250-100-2	1000	1000
HT300	300	100	2	PP	Black	HT300-100-2	1000	1000
HT400	400	100	2	PP	Black	HT400-100-2	1000	1000
HT500	500	100	2	PP	Black	HT500-100-2	1000	1000
HT600	600	100	2	PP	Black	HT600-100-2	1000	1000
HT750	750	100	2	PP	Black	HT750-100-2	1000	1000
HT1000	1000	100	2	PP	Black	HT1000-100-2	1000	1000

HellermannTyton

QR code: www.HT.click/9-42

For product specific approvals and specifications please refer to the App.



Add items to your watchlist!

www.HT.click/9-42





	4.1 Electrical and Technical Tapes	398
	4.2 Wire Connectors	417
	4.3 Cable Rods	419
	4.4 Downlight Covers	422





4.1 Electrical and Technical Tapes

Vinyl Electrical Tapes		
All Purpose Electrical Tape	HelaTape Flex 15	398
For Higher Mechanical Requirements	HelaTape Flex 20	400
	HelaTape Flex 25	400
	HelaTape Flex 1000+	401
Premium Heavy Duty Electrical Tape	HelaTape Flex 2000+	402
Corrosion Protection Tape	HelaTape Wrap 25	403
Conductive Tapes		
Electrical Semi-Conducting Tape	HelaTape Shield 310	404
Electrical Shielding Tape	HelaTape Shield 320	404
Self-amalgamating Tapes		
Low Voltage Rubber Tape	HelaTape Power 600	405
Electrical Insulation Mastic	HelaTape Power 650	406
Rubber Mastic Tape	HelaTape Power 660 RM	407
Vinyl Mastic Tape	HelaTape Power 670 VM	407
Medium Voltage Rubber Tape (Linerless)	HelaTape Power 715	408
Silicone Rubber Tape	HelaTape Power 800	409
High Voltage Rubber Tape	HelaTape Power 810	410
	HelaTape Power 820 (Linerless)	411

Technical Tapes

Vinyl Bundling Tape	HelaTape Allround 1500	412
Cloth Tape	HelaTape Tex	413
Wire Harness Tapes		
Hand-tearable Cloth Tape	Protect 180	414
Strong, High Temperature Cloth Tape	Protect 250	415
Soft and Flexible Fleece Tape	Protect 300	416



4.2 Wire Connectors

Connectors

HelaCon-Series	HelaCon Plus Mini	417
For Lighting Installation	HelaCon Lux	418



4.3 Cable Rods

Cable Installation System

	Cable Scout Cam	419
	Cable Scout+ Sets	420
Cable Rod System	Cable Scout+ Pairs	420
	Cable Scout+ Accessories	421



4.4 Downlight Covers

Downlight covers

	SpotClip-I	422
	SpotClip-II	424
Downlight Covers - For Residential Buildings	SpotClip-III	426
	SpotClip-IV-Slim	428
	SpotClip-Box	430
	SpotClip-Kit	432
Downlight Covers - For Industrial Buildings	SpotClip-Plate	434
	SpotClip-Caps	436



HelaTape

HellermannTyton offers a comprehensive range of vinyl, rubber and cloth tapes for bundling, insulating, fixing, sealing and marking applications around all kinds of electrical applications. Vinyl electrical tapes are designed for low voltage applications and available in different dimensions and colours. Rubber tapes are suitable for sealing and insulating cables and splices in low, medium and high voltage applications. HelaTape cloth tapes are extremely strong and ideal for identification, fixing, bundling and repair purposes. HelaTape Protect is used to build professional cable and wiring harnesses.

Vinyl Electrical Tapes – Commercial Grade Vinyl Electrical Tape

HelaTape Flex 15

Features and benefits

- Vinyl electrical tape in many different colours
- Used for insulation, protection, fixing, maintenance, colour coding and more
- Good resistance to abrasion, sunlight, moisture, chemicals and varying weather conditions
- Highly flexible with outstanding adhesion performance
- Harnessing of wires and cables
- Suitable for mechanical and electrical applications up to 1 kV
- VDE approved according to IEC 60454-3-1-6/F-PVCP/90
- Flame retardant according to IEC 60454-2



HelaTape Flex 15 is a commercial grade, weather resistant vinyl tape.

MATERIAL	Polyvinylchloride (PVC)
Dielectric Strength	45 kV/mm
Adhesion to Steel	2.5 N/10 mm
Adhesion to Backing	2.5 N/10 mm
Elongation at break	200 %
Breaking Strength	28 N/10 mm
Operating Temperature	-10 °C to +90 °C



TYPE	Thickness (T)	Width (W)	Length (L)	Colour	Article-No.
HTAPE-FLEX15-15x10	0.15	15.0	10.0 m	Black (BK)	710-00104
	0.15	15.0	10.0 m	Blue (BU)	710-00100
	0.15	15.0	10.0 m	Brown (BN)	710-00107
	0.15	15.0	10.0 m	Green (GN)	710-00103
	0.15	15.0	10.0 m	Green-Yellow (GNYE)	710-00106
	0.15	15.0	10.0 m	Grey (GY)	710-00108
	0.15	15.0	10.0 m	Orange (OG)	710-00110
	0.15	15.0	10.0 m	Red (RD)	710-00101
	0.15	15.0	10.0 m	Red (RD), Grey (GY), Yellow (YE), Green (GN), Blue (BU), Orange (OG), White (WH), Brown (BN), Black (BK), Green-Yellow (GNYE)	710-00146
	0.15	15.0	10.0 m	Transparent (CL)	710-00147
	0.15	15.0	10.0 m	Violet (VT)	710-00109
	0.15	15.0	10.0 m	White (WH)	710-00105
	0.15	15.0	10.0 m	Yellow (YE)	710-00102

All dimensions in mm. Subject to technical changes.
Minimum Order Quantity (MOQ) may differ from package content.



For product specific approvals and specifications please refer to the Appendix.





Vinyl Electrical Tapes – Commercial Grade Vinyl Electrical Tape

HTape Flex 15

TYPE	Thickness (T)	Width (W)	Length (L)	Colour	Article-No.
HTAPE-FLEX15-15x25	0.15	15.0	25.0 m	Black (BK)	710-00115
HTAPE-FLEX15-19x20	0.15	19.0	20.0 m	Black (BK)	710-00155
	0.15	19.0	20.0 m	Blue (BU)	710-00151
	0.15	19.0	20.0 m	Brown (BN)	710-00158
	0.15	19.0	20.0 m	Green (GN)	710-00154
	0.15	19.0	20.0 m	Green-Yellow (GNYE)	710-00157
	0.15	19.0	20.0 m	Grey (GY)	710-00159
	0.15	19.0	20.0 m	Red (RD)	710-00152
	0.15	19.0	20.0 m	Violet (VT)	710-00160
	0.15	19.0	20.0 m	White (WH)	710-00156
0.15	19.0	20.0 m	Yellow (YE)	710-00153	
HTAPE-FLEX15-19x25	0.15	19.0	25.0 m	Black (BK)	710-00126
HTAPE-FLEX15-25x25	0.15	25.0	25.0 m	Black (BK)	710-00137
	0.15	25.0	25.0 m	Blue (BU)	710-00133
	0.15	25.0	25.0 m	Brown (BN)	710-00140
	0.15	25.0	25.0 m	Green (GN)	710-00136
	0.15	25.0	25.0 m	Green-Yellow (GNYE)	710-00139
	0.15	25.0	25.0 m	Grey (GY)	710-00141
	0.15	25.0	25.0 m	Red (RD)	710-00134
	0.15	25.0	25.0 m	White (WH)	710-00138
	0.15	25.0	25.0 m	Yellow (YE)	710-00135

All dimensions in mm. Subject to technical changes.
Minimum Order Quantity (MOQ) may differ from package content.



For product specific approvals and specifications please refer to the Appendix.



Add items to your watchlist!
www.HT.click/9-399





Vinyl Electrical Tapes – Insulating Tape for Higher Mechanical Requirements

HelaTape Flex 20



HelaTape Flex 20 – Higher thickness for quicker layering.

Features and benefits

- Vinyl electrical tape with strong rubber adhesive
- Suitable for mechanical and electrical applications up to 1 kV
- Additional thickness for quicker layering and higher abrasion resistance
- Weather resistant
- Flame retardant according to UL 510 Standard

MATERIAL	Polyvinylchloride (PVC)
Dielectric Strength	40 kV/mm
Adhesion to Steel	2.5 N/10 mm
Adhesion to Backing	2.5 N/10 mm
Elongation at break	240 %
Breaking Strength	40 N/10 mm
Operating Temperature	-10 °C to +105 °C

RoHS ✓

Vinyl Electrical Tapes – Insulating Tape for Higher Mechanical Requirements

HelaTape Flex 25



HelaTape Flex 25 for higher abrasion resistance.

Features and benefits

- Vinyl film coated with high quality rubber adhesive
- Extra high material thickness
- Highly resistant to sun, water, oil, acids, alkalis, corrosive chemicals
- Used for insulation, protection, fixing, maintenance and more
- Superior vinyl tape with excellent all-weather performance
- Flame retardant according to UL 510 Standard

MATERIAL	Polyvinylchloride (PVC)
Dielectric Strength	45 kV/mm
Adhesion to Steel	2.6 N/10 mm
Adhesion to Backing	2.6 N/10 mm
Elongation at break	240 %
Breaking Strength	46 N/10 mm
Operating Temperature	-10 °C to +90 °C

RoHS ✓

HelaTape Flex 20

TYPE	Thickness (T)	Width (W)	Length (L)	Colour	Article-No.
HTAPE-FLEX20-19x20	0.20	19.0	20.0 m	Black (BK)	710-10300

All dimensions in mm. Subject to technical changes. Minimum Order Quantity (MOQ) may differ from package content.



For product specific approvals and specifications please refer to the Appendix.

HelaTape Flex 25

TYPE	Thickness (T)	Width (W)	Length (L)	Colour	Article-No.
HTAPE-FLEX25-19x33	0.25	19.0	33.0 m	Black (BK)	710-00450
HTAPE-FLEX25-38x33	0.25	38.0	33.0 m	Black (BK)	710-00451

All dimensions in mm. Subject to technical changes. Minimum Order Quantity (MOQ) may differ from package content.



For product specific approvals and specifications please refer to the Appendix.



Add items to your watchlist!

www.HT.click/9-400





Vinyl Electrical Tapes – Premium Vinyl Electrical Tape

HelaTape Flex 1000+

Features and benefits

- All-weather, highly flexible, professional grade, self-adhesive vinyl electrical tape
- Excellent performance and durability over wide temperature range from -18°C to +105°C according to CSA C22.2
- VDE approved according to IEC 60454-3-1-7/F-PVCP/90
- Used for insulation, protection, fixing, maintenance, colour coding and more
- Pressure sensitive high quality rubber based adhesive
- Performs continuously at low temperature environment
- Excellent resistance to abrasion, moisture, chemicals, corrosion and UV exposure
- Primary electrical insulation for all wire and cable splices up to 1 kV
- Protective jacketing for low, medium and high voltage splices and repairs
- Flame retardant according to UL 510 Standard
- For indoor and outdoor applications
- Size 19 mm x 20 m is single packed in a plastic can, only 710-10601 comes in a pack of 10 pcs



HelaTape Flex 1000+ provides excellent low temperature performance.

MATERIAL	Polyvinylchloride (PVC)
Dielectric Strength	45 kV/mm
Adhesion to Steel	3.0 N/10 mm
Adhesion to Backing	2.7 N/10 mm
Elongation at break	300 %
Breaking Strength	35 N/10 mm
Operating Temperature	-18 °C to +105 °C



TYPE	Thickness (T)	Width (W)	Length (L)	Colour	Article-No.
HTAPE-FLEX1000+ 19x6	0.18	19.0	6.0 m	Black (BK)	710-10600
HTAPE-FLEX1000+ 19x20	0.18	19.0	20.0 m	Black (BK)	710-10602
HTAPE-FLEX1000+ 19x20 PACK	0.18	19.0	20.0 m	Black (BK)	710-10601
HTAPE-FLEX1000+ C 19x20	0.18	19.0	20.0 m	Blue (BU)	710-10603
	0.18	19.0	20.0 m	Brown (BN)	710-10608
	0.18	19.0	20.0 m	Green (GN)	710-10606
	0.18	19.0	20.0 m	Green-Yellow (GNYE)	710-10612
	0.18	19.0	20.0 m	Grey (GY)	710-10609
	0.18	19.0	20.0 m	Red (RD)	710-10604
	0.18	19.0	20.0 m	White (WH)	710-10607
	0.18	19.0	20.0 m	Yellow (YE)	710-10605
HTAPE-FLEX1000+ 19x33	0.18	19.0	33.0 m	Black (BK)	710-10610
HTAPE-FLEX1000+ 50x33	0.18	50.0	33.0 m	Black (BK)	710-10611

All dimensions in mm. Subject to technical changes.
Minimum Order Quantity (MOQ) may differ from package content.



For product specific approvals and specifications please refer to the Appendix.



Add items to your watchlist!

www.HT.click/9-401



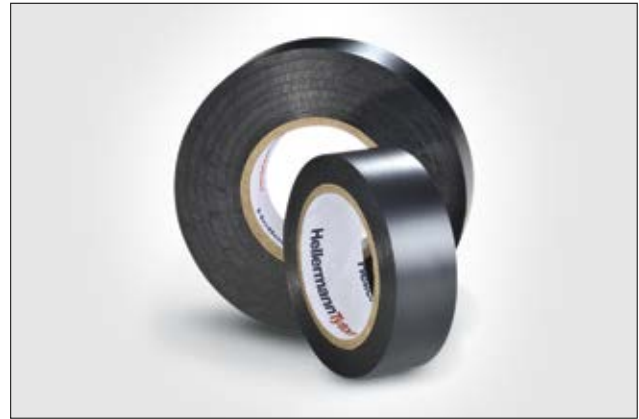


Vinyl Electrical Tapes – Premium Heavy Duty Vinyl Electrical Tape

HelaTape Flex 2000+

Features and benefits

- All-weather, highly flexible, professional grade, self-adhesive vinyl electrical tape with higher thickness for more mechanical and electrical protection
- Excellent performance and durability over wide temperature range from -18 °C to +105 °C according to CSA C22.2
- Pressure sensitive and aggressive high quality rubber based adhesive
- Performs continuously at low temperature environment
- Flame retardant according to UL 510 Standard
- Excellent resistance to abrasion, moisture, chemicals, corrosion and UV exposure
- Primary electrical insulation for all wire and cable splices up to 1 kV



HelaTape Flex 2000+ is the best choice for professional installation.

MATERIAL	Polyvinylchloride (PVC)
Dielectric Strength	40 kV/mm
Adhesion to Steel	3.0 N/10 mm
Adhesion to Backing	2.4 N/10 mm
Elongation at break	300 %
Breaking Strength	40 N/10 mm
Operating Temperature	-18 °C to +105 °C

RoHS ✓

TYPE	Thickness (T)	Width (W)	Length (L)	Colour	Article-No.
HTAPE-FLEX2000+19x20	0.21	19.0	20.0 m	Black (BK)	710-10701
HTAPE-FLEX2000+38x20	0.21	38.0	20.0 m	Black (BK)	710-10705

All dimensions in mm. Subject to technical changes.
Minimum Order Quantity (MOQ) may differ from package content.



For product specific approvals and specifications please refer to the Appendix.



Add items to your watchlist!

www.HT.click/9-402





Vinyl Electrical Tapes – Vinyl Tape for Corrosion Protection

Helatape Wrap 25

Features and benefits

- Special adhesive with excellent protection against corrosion
- Complete environmental, mechanical and electrical protection
- Highly resistant to UV, water, oil, most chemicals, bacteria and fungus
- Used for pipes, tubes, and conduits in outside and underground applications



Helatape Wrap 25 protects against all types of corrosion.

MATERIAL	Polyvinylchloride (PVC)
Dielectric Strength	40 kV/mm
Adhesion to Steel	2.2 N/10 mm
Adhesion to Backing	2.0 N/10 mm
Elongation at break	200 %
Breaking Strength	44 N/10 mm
Operating Temperature	-10 °C to +90 °C

RoHS

TYPE	Thickness (T)	Width (W)	Length (L)	Colour	Article-No.
HTAPE-WRAP25-25x30	0.25	25.0	30.0 m	Black (BK)	710-10800
HTAPE-WRAP25-50x30	0.25	50.0	30.0 m	Black (BK)	710-10802
HTAPE-WRAP25-100x30	0.25	100.0	30.0 m	Black (BK)	710-10803

All dimensions in mm. Subject to technical changes.
Minimum Order Quantity (MOQ) may differ from package content.



For product specific approvals and specifications please refer to the Appendix.



Add items to your watchlist!
www.HT.click/9-403





Conductive Tapes – Electrical Semi-Conducting Tape

HelaTape Shield 310



HelaTape Shield 310 self-amalgamating conducting tape for shielding high voltage splices and terminations.

Features and benefits

- Self-amalgamating conducting tape made from ethylene propylene rubber
- Provides good conducting properties
- Prevents partial discharges
- Moisture and UV-resistant and easy to apply
- Guidance and/or finishing of the semiconductive layer in case of repairs and connections of medium to high voltage cables.

MATERIAL	Ethylene Propylene Rubber (EPR)
Operating Temperature	-40 °C to +90 °C
Intermittent Operating Temperature	+130 °C
Water Absorption	0.02 %
Elongation at break	500 %
Volume Resistance	870 Ω cm



Conductive Tapes – Electrical Shielding Tape

HelaTape Shield 320



HelaTape Shield 320 provides good electromagnetic shielding.

Features and benefits

- Copper shielding braid, tin-plated
- Quick and easy to use due to copper knit-mesh design
- Excellent conformability
- Good electromagnetic properties
- Electromagnetic shielding for splices and terminations of shielded cables

MATERIAL	Tin-plated copper (SNCU)
Operating Temperature	-40 °C to +125 °C
Elongation at break	5 %



HelaTape Shield 310

TYPE	Thickness (T)	Width (W)	Length (L)	Colour	Article-No.
HTAPE-SHIELD310	0.76	19.0	4.6 m	Black (BK)	711-10000
	0.76	38.0	9.1 m	Black (BK)	711-10001

All dimensions in mm. Subject to technical changes. Minimum Order Quantity (MOQ) may differ from package content.

HelaTape Shield 320

TYPE	Thickness (T)	Width (W)	Length (L)	Colour	Article-No.
HTAPE-SHIELD320	0.45	25.0	4.6 m	Natural (NA)	711-10002

All dimensions in mm. Subject to technical changes. Minimum Order Quantity (MOQ) may differ from package content.





Self-amalgamating Tapes – Low Voltage Rubber Tape

Helatape Power 600

Features and benefits

- Self-amalgamating low voltage rubber tape
- Primary insulation at not more than 1 kV
- Easily suitable to irregular shapes and surfaces
- Compatible with all extruded dielectric cable insulations
- Weather resistant and flame retardant according to UL 510
- Excellent for repairing e.g. damaged cable sheaths against moisture ingress, where finishing with some layers of Helatape Flex will do the mechanical protection.



Helatape Power 600 is a self-amalgamating low voltage rubber tape.

MATERIAL	Natural rubber (NR)
Operating Temperature	-40 °C to +80 °C
Intermittent Operating Temperature	+95 °C
Tensile Strength	2 N/mm ²
Elongation at break	300 %
Dielectric Strength	14 kV/mm



TYPE	Thickness (T)	Width (W)	Length (L)	Colour	Article-No.
HTAPE-POWER600-19x6.7	0.76	19.0	6.7 m	Black (BK)	711-10200
HTAPE-POWER600-38x6.7	0.76	38.0	6.7 m	Black (BK)	711-10201

All dimensions in mm. Subject to technical changes.
Minimum Order Quantity (MOQ) may differ from package content.



For product specific approvals and specifications please refer to the Appendix.



Add items to your watchlist!
www.HT.click/9-405





Self-amalgamating Tapes – Electrical Insulation Mastic

Helatape Power 650

Features and benefits

- Self-amalgamating insulation compound for sealing and padding cable jackets up to 1 kV
- Easily moulded by hand to conform to irregular shapes even during low temperatures
- Permanently elastic and resistant to ageing
- Perfect adhesion to metal and all types of cable insulations and jackets
- Provides excellent moisture sealing
- Resistant to salt water, ozone, oil and corrosive chemicals
- Excellent for repairing e.g. damaged cable sheaths against moisture ingress, where finishing with some layers of Helatape Flex will do the mechanical protection



www.HellermannTyton.com/Helatape-cat22



Helatape Power self-amalgamating mastic is highly flexible.

MATERIAL	Isobutene-Isoprene-Rubber (butyl rubber) (IIR)
Operating Temperature	-10 °C to +105 °C
Intermittent Operating Temperature	+130 °C
Water Absorption	0.1 %
Volume Resistance	10 ¹⁵ Ω cm
Dielectric Strength	19.7 kV/mm



TYPE	Thickness (T)	Width (W)	Length (L)	Colour	Article-No.
HTAPE-POWER650	3.20	38.0	1.5 m	Black (BK)	711-10300

All dimensions in mm. Subject to technical changes.
Minimum Order Quantity (MOQ) may differ from package content.





Self-amalgamating Tapes – Rubber Mastic Tape

Helatape Power 660 RM



Helatape Power 660 is a very flexible rubber mastic sealing and padding tape.

Features and benefits

- Self-amalgamating rubber mastic tape
- EPR backing coated with a tacky, temperature-stable mastic adhesive
- Designed for electrical insulating and moisture sealing applications
- Can be used as cable jacket replacement
- Perfect adhesion and sealing for copper and aluminium wires
- Easily suitable to irregular shapes and surfaces
- Compatible with all extruded cable insulations
- UV, moisture, corrosion and chemical resistant
- Primary electrical insulation for bus bar connections rated up to 35 kV
- Excellent for repairing e.g. damaged cable sheaths against moisture ingress, where finishing with some layers of Helatape Flex will do the mechanical protection

MATERIAL	Ethylene Propylene Rubber (EPR), Isobutene-Isoprene-Rubber (butyl rubber) (IIR)
Operating Temperature	-30 °C to +90 °C
Intermittent Operating Temperature	+130 °C
Water Absorption	0.1 %
Tensile Strength	1.5 N/mm ²
Dielectric Strength	19.7 kV/mm



Helatape Power 660 RM

TYPE	Thickness (T)	Width (W)	Length (L)	Colour	Article-No.
HTAPE-POWER 660-RM	1.65	50.8	3.0 m	Black (BK)	711-00307

All dimensions in mm. Subject to technical changes. Minimum Order Quantity (MOQ) may differ from package content.

Helatape Power 670 VM

TYPE	Thickness (T)	Width (W)	Length (L)	Colour	Article-No.
HTAPE-POWER 670-VM	1.20	100.0	3.0 m	Black (BK)	711-00304

All dimensions in mm. Subject to technical changes. Minimum Order Quantity (MOQ) may differ from package content.

Self-amalgamating Tapes – Vinyl Mastic Tape

Helatape Power 670 VM



Helatape Power 670 provides additional vinyl film protection to the mastic compound.

Features and benefits

- Easy to apply vinyl mastic tape
- Self-adhesive application - without stretching
- Mastic layer is very sticky and provides excellent moisture sealing
- Vinyl top layer provides additional protection
- Performs continuously. Even at low temperatures
- Primary insulation up to 1 kV
- Applicable to all extruded cable insulations
- UV and weather resistant

MATERIAL	Polyvinylchloride (PVC), Isobutene-Isoprene-Rubber (butyl rubber) (IIR)
Operating Temperature	-30 °C to +80 °C
Intermittent Operating Temperature	+95 °C
Water Absorption	0.9 %
Tensile Strength	16 N/mm ²
Elongation at break	200 %
Volume Resistance	10 ¹² Ω cm
Dielectric Strength	19.7 kV/mm



HF ✓ RoHS ✓



Add items to your watchlist!

www.HT.click/9-407





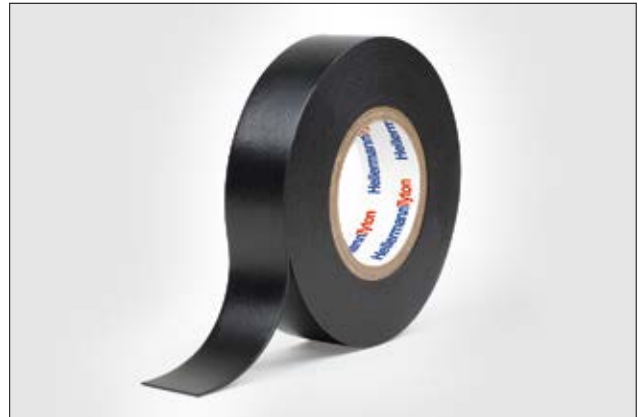
Self-amalgamating Tapes – Medium Voltage Rubber Tape (Linerless)

HelaTape Power 715

The rubber-based self-amalgamating linerless tape is used for electrical insulation, protection, sealing, splicing and termination of cables up to 35 kV. The special material comes without a separating liner and reduces therefore the time required to apply the tape. It features with excellent UV, moisture, corrosion, ozone and chemical resistance. HelaTape Power 715 is compatible with all extruded dielectric cable insulations.

Features and benefits

- Rubber-based self-amalgamating linerless tape
- Used for waterproof sealing and corrosion protection of cables
- Excellent electrical insulation and weather protection
- Time saving application without liner
- The lack of liner causes less waste
- Easy to apply and very flexible



HelaTape Power 715 allows quicker layering due to the linerless composition.

MATERIAL	Ethylene Propylene Rubber (EPR)
Operating Temperature	+90 °C
Intermittent Operating Temperature	+130 °C
Water Absorption	0.06 %
Tensile Strength	2.1 N/mm ²
Elongation at break	700 %
Volume Resistance	10 ¹⁶ Ω cm
Dielectric Strength	30 kV/mm

HF ✓

RoHS ✓

TYPE	Thickness (T)	Width (W)	Length (L)	Colour	Article-No.
HTAPE-POWER715-19x10	0.50	19.0	10.0 m	Black (BK)	711-00311

All dimensions in mm. Subject to technical changes.
Minimum Order Quantity (MOQ) may differ from package content.





Self-amalgamating Tapes – Silicone Rubber Tape

HelaTape Power 800

Features and benefits

- Self-amalgamating and self-cleaning, chemically cross-linked silicone rubber tape
- Triangular cross-section with centre line for precise half-overlapping
- Resistant to creepage and surface erosion
- Fuses into solid mass after application
- Weather, UV and oil resistant
- Recommended use for high temperature silicone insulated cables and outdoor machinery and transformers



HelaTape Power 800 is a silicone rubber tape with triangular cross-section.

MATERIAL	Silicone (SI)
Operating Temperature	-54 °C to +180 °C
Intermittent Operating Temperature	+260 °C
Tensile Strength	7.0 N/mm ²
Elongation at break	400 %
Volume Resistance	10 ¹⁴ Ω cm
Dielectric Strength	23.5 kV/mm



TYPE	Thickness (T)	Width (W)	Length (L)	Colour	Article-No.
HTAPE-POWER800	0.51	25.0	9.1 m	Grey (GY)	711-10400

All dimensions in mm. Subject to technical changes.
Minimum Order Quantity (MOQ) may differ from package content.



Add items to your watchlist!
www.HT.click/9-409





Self-amalgamating Tapes – High Voltage Rubber Tape

HelaTape Power 810

Features and benefits

- Self-amalgamating tape for insulating and jacketing splices up to 69 kV
- Halogen-free with outstanding corona, ozone and UV-resistance
- Ideal for sealing of terminations, electrical connections and cable jacket repair
- Void-free, electrically stable layering
- Protects e.g. bus bars against corrosion and contact
- Excellent moisture, corrosion and chemical resistance
- Compatible with all extruded cable insulations



HelaTape Power 810 for primary insulation up to 69 kV.

MATERIAL	Ethylene Propylene Rubber (EPR)
Operating Temperature	+90 °C
Intermittent Operating Temperature	+130 °C
Water Absorption	0.06 %
Tensile Strength	2.4 N/mm ²
Elongation at break	750 %
Volume Resistance	10 ¹⁶ Ω cm
Dielectric Strength	30 kV/mm

HF ✓

RoHS ✓

TYPE	Thickness (T)	Width (W)	Length (L)	Colour	Article-No.
HTAPE-POWER810	0.76	19.0	9.1 m	Black (BK)	711-10401

All dimensions in mm. Subject to technical changes.
Minimum Order Quantity (MOQ) may differ from package content.



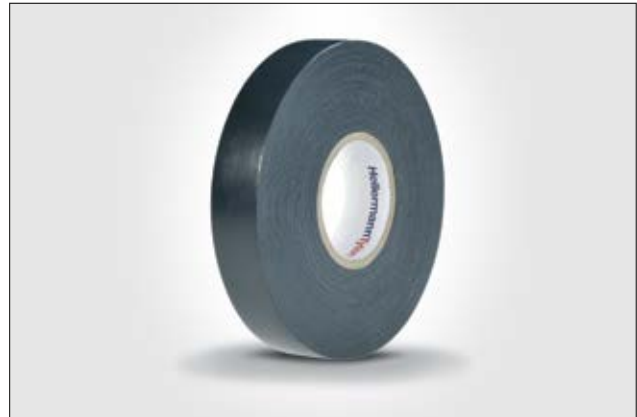


Self-amalgamating Tapes – High Voltage Rubber Tape (Linerless)

HelaTape Power 820

Features and benefits

- Self-amalgamating, linerless tape for insulating and jacketing splices up to 69 kV
- Excellent electrical, chemical and physical properties
- Building stress cones and jacketing of terminations, bus bars and joints
- Quicker application due to linerless design
- The lack of liner causes less waste
- Uniform and void-free layering
- Very flexible to conform to the most complex shapes
- Compatible with all extruded cable insulations



HelaTape Power 820 provides substantial time saving due to the linerless design.

MATERIAL	Ethylene Propylene Rubber (EPR)
Operating Temperature	-30 °C to +90 °C
Intermittent Operating Temperature	+130 °C
Water Absorption	0.06 %
Tensile Strength	2.8 N/mm ²
Elongation at break	750 %
Volume Resistance	10 ¹⁶ Ω cm
Dielectric Strength	31.5 kV/mm



TYPE	Thickness (T)	Width (W)	Length (L)	Colour	Article-No.
HTAPE-POWER820	0.76	19.0	9.1 m	Black (BK)	711-10402

All dimensions in mm. Subject to technical changes.
Minimum Order Quantity (MOQ) may differ from package content.



Add items to your watchlist!
www.HT.click/9-411





Technical Tapes – Vinyl Bundling Tape

HelaTape Allround 1500

Allround 1500 – Electricians Duct Tape is designed for bundling, holding, fixing and maintenance applications. It can be also used as temporary surface protection of steel and aluminium parts.

Features and benefits

- Vinyl film coated with high quality rubber adhesive
- Excellent performance and durability
- Easy to tear
- No cloth – does not absorb water
- Used for bundling, holding, fixing and maintenance
- This product has no electrical insulating properties



HelaTape Allround 1500 – universal and very strong vinyl bundling tape.

MATERIAL	Polyvinylchloride (PVC)
Adhesion to Steel	1.5 N/10 mm
Adhesion to Backing	1.5 N/10 mm
Elongation at break	150 %
Breaking Strength	18 N/10 mm
Operating Temperature	-10 °C to +90 °C

RoHS

TYPE	Thickness (T)	Width (W)	Length (L)	Colour	Article-No.
HTAPE-ALLROUND1500	0.15	51.0	46.0 m	Grey (GY)	710-01000

All dimensions in mm. Subject to technical changes.
Minimum Order Quantity (MOQ) may differ from package content.



For product specific approvals and specifications please refer to the Appendix.



Add items to your watchlist!

www.HT.click/9-412





Technical Tapes – Cloth Tape

HelaTape Tex

Features and benefits

- High quality PE-coated cloth tape with good weather resistance
- Total thickness of 0.31 mm for high tensile strength
- Highly tear-resistant in longitudinal direction
- Easy to tear-off by hand in transverse direction
- Matt surface finish for use in stage constructions and for exhibitions to avoid light reflections
- Useful for various applications like bundling, fixing, identification, marking and protection
- HelaTape Tex can be removed without residues due to high quality rubber based adhesive



HelaTape Tex is available in various colours and sizes.

MATERIAL	Cotton (CO)
Operating Temperature	-30 °C to +80 °C
Adhesion to Backing	3.0 N/10 mm
Elongation at break	10 %
Breaking Strength	64 N/10 mm



TYPE	Thickness (T)	Width (W)	Length (L)	Colour	Article-No.
HTAPE-TEX-19x10	0.31	19.0	10.0 m	Black (BK)	712-00204
	0.31	19.0	10.0 m	Blue (BU)	712-00200
	0.31	19.0	10.0 m	Green (GN)	712-00203
	0.31	19.0	10.0 m	Grey (GY)	712-00206
	0.31	19.0	10.0 m	Red (RD)	712-00201
	0.31	19.0	10.0 m	White (WH)	712-00205
	0.31	19.0	10.0 m	Yellow (YE)	712-00202
HTAPE-TEX-19x50	0.31	19.0	50.0 m	Black (BK)	712-00504
	0.31	19.0	50.0 m	Blue (BU)	712-00500
	0.31	19.0	50.0 m	Green (GN)	712-00503
	0.31	19.0	50.0 m	Grey (GY)	712-00506
	0.31	19.0	50.0 m	Red (RD)	712-00501
	0.31	19.0	50.0 m	White (WH)	712-00505
	0.31	19.0	50.0 m	Yellow (YE)	712-00502
HTAPE-TEX-50x50	0.31	50.0	50.0 m	Black (BK)	712-00904
	0.31	50.0	50.0 m	Blue (BU)	712-00900
	0.31	50.0	50.0 m	Green (GN)	712-00903
	0.31	50.0	50.0 m	Grey (GY)	712-00906
	0.31	50.0	50.0 m	Red (RD)	712-00901
	0.31	50.0	50.0 m	White (WH)	712-00905

All dimensions in mm. Subject to technical changes.
Minimum Order Quantity (MOQ) may differ from package content.



Add items to your watchlist!
www.HT.click/9-413





Wire Harness Tape – Hand-tearable Cloth Tape

Helatape Protect 180

Features and benefits

- High quality polyester fabric harnessing tape
- Rubber-based adhesive offers very good heat and media resistance
- High temperature stability from -40 °C to +125 °C
- Temperature resistance tested according to LV312
- Very good resistance against abrasion
- Material is very flexible and tearable by hand
- Excellent ageing resistance, and resistant to rotting in wet or damp conditions such as e.g. white goods and automotive, etc.



Helatape Protect 180 is very flexible and used for cable harnessing.

MATERIAL	Polyester (PET)
Operating Temperature	-40 °C to +125 °C
Adhesion to Steel	3.0 N/10 mm
Adhesion to Backing	3.0 N/10 mm
Elongation at break	15 %
Breaking Strength	65 N/10 mm



TYPE	Thickness (T)	Width (W)	Length (L)	Colour	Article-No.
HTAPE-PROTECT180	0.18	19.0	25.0 m	Black (BK)	712-10002

All dimensions in mm. Subject to technical changes. Minimum Order Quantity (MOQ) may differ from package content.





Wire Harness Tape – Strong, High Temperature Cloth Tape

HTape Protect 250

Features and benefits

- High temperature polyester fabric harnessing tape
- Special acrylate-based adhesive offers very good heat and media resistance
- Very high temperature stability from -40 °C to +150 °C
- Temperature and humidity resistance tested according to LV312
- Very good resistance against abrasion
- Material is very flexible and easy to handle
- Provides long term reliability under varying and extreme environmental conditions
- Excellent ageing resistance, and resistant to rotting in wet or damp conditions such as e.g. white goods and automotive, etc.



HTape Protect 250 is designed for cable harnessing and offers a very high temperature resistance.

MATERIAL	Polyester (PET)
Operating Temperature	-40 °C to +150 °C
Adhesion to Steel	2.5 N/10 mm
Adhesion to Backing	2.0 N/10 mm
Elongation at break	15 %
Breaking Strength	180 N/10 mm



TYPE	Thickness (T)	Width (W)	Length (L)	Colour	Article-No.
HTAPE-PROTECT250	0.25	19.0	25.0 m	Black (BK)	712-10003

All dimensions in mm. Subject to technical changes.
Minimum Order Quantity (MOQ) may differ from package content.



Add items to your watchlist!

www.HT.click/9-415





Wire Harness Tape – Soft and Flexible Fleece Tape

HelaTape Protect 300

Features and benefits

- Soft polyester fleece harnessing tape
- High noise reduction and very high resistance against abrasion
- Synthetic rubber based adhesive offers good heat and media resistance
- High temperature stability from -40 °C to +105 °C
- Material is very flexible and tearable by hand
- Excellent ageing resistance, and resistant to rotting in wet or damp conditions such as e.g. white goods and automotive, etc.



HelaTape Protect 300 provides high noise reduction and media resistance.

MATERIAL	Polyester (PET)
Operating Temperature	-40 °C to +105 °C
Adhesion to Steel	2.0 N/10 mm
Adhesion to Backing	2.0 N/10 mm
Elongation at break	10 %
Breaking Strength	30 N/10 mm

HF ✓

RoHS ✓

TYPE	Thickness (T)	Width (W)	Length (L)	Colour	Article-No.
HTAPE-PROTECT300	0.30	19.0	25.0 m	Black (BK)	712-10001

All dimensions in mm. Subject to technical changes.
Minimum Order Quantity (MOQ) may differ from package content.





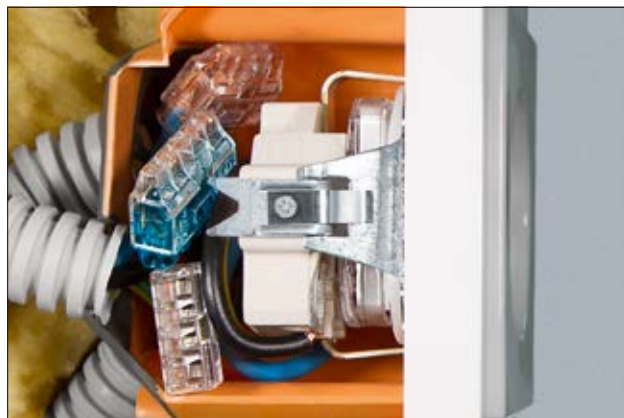
Connectors - For Solid and Stranded Wires

HelaCon Plus Mini

HelaCon connectors are used for fast, easy and reliable connection and distribution of cable and conductors in electrical installation applications. The new generation of HelaCon Plus Mini wire connectors can be applied tool-free using the push-in technology. HelaCon Plus Mini uses a double spring which is approved for solid and stranded wires.

Features and benefits

- 40 % smaller – Space saving design
- Low insertion force – Easy to use, saves time on installation
- Easy access to voltage test entry and innovative port shape design
- Correct installation can be visually checked through transparent housing
- Different colour codes for easy identification of size
- Allows different conductor diameters in each entry
- Safe application, installation and maintenance
- Practical Variobox with 350 pcs. of selected HCPM wire connectors available (148-90046)

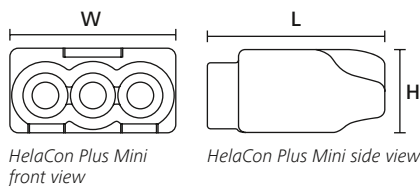


HelaCon Plus Mini fits perfect in every space limited situation.

MATERIAL	Polycarbonate (PC)	
Max Current	24 A	
Max Voltage	450 V	600 V
Wire Range (VDE) in mm²	0.5 to 2.5 mm ² solid wires / 1.0 to 2.5 mm ² stranded wires	
Stripping Length	11 mm	
Flammability	UL 94 V0	
Operating Temperature	-30 °C to +85 °C	



www.HellermannTyton.com/HelaConPlus-cat22



TYPE	Drawing	Number of Conductors	Colour	Width (W)	Height (H)	Length (L)	Pack Cont.	Article-No.
HCPM-2-Blister		2	Transparent (CL), Yellow (YE)	10.8	7.7	16.5	20 pcs.	148-90054
HCPM-2		2	Transparent (CL), Yellow (YE)	10.8	7.7	16.5	150 pcs.	148-90036
HCPM-3		3	Orange (OG), Transparent (CL)	15.1	7.7	16.5	100 pcs.	148-90037
HCPM-3-Blister		3	Transparent (CL), Orange (OG)	15.1	7.7	16.5	18 pcs.	148-90055
HCPM-4-Blister		4	Transparent (CL)	19.4	7.7	16.5	10 pcs.	148-90056
HCPM-4		4	Transparent (CL)	19.4	7.7	16.5	100 pcs.	148-90038
HCPM-5-Blister		5	Transparent (CL), Blue (BU)	23.7	7.7	16.5	10 pcs.	148-90057
HCPM-5		5	Transparent (CL), Blue (BU)	23.7	7.7	16.5	75 pcs.	148-90039
HCPM-6		6	Transparent (CL), Violet (VT)	28.0	7.7	16.5	50 pcs.	148-90040
HCPM-8		8	Transparent (CL), Black (BK)	36.6	7.7	16.5	50 pcs.	148-90041
HCPM Variobox 350		-	Transparent (CL)	-	7.7	16.5	350 pcs.	148-90046

All dimensions in mm. Subject to technical changes. Minimum Order Quantity (MOQ) may differ from package content.

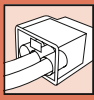


For product specific approvals and specifications please refer to the Appendix.



Add items to your watchlist!

www.HT.click/9-417



Connectors - For Lighting Installation

HelaCon Lux

The typical application is lighting installation, where the solid conductor from concealed cabling has to be connected to a flexible cable for lighting or other device. The 2/1 variant allows the looping through of the supply lines for additional devices.

There are two types of cable insertion port on each side of the HelaCon Lux connector, one is a conventional push in wire type suitable for solid cable, whilst the other side is suitable for flexible cable and is inserted by pressing the locking mechanism and can be released in the same way at any time. The lighting side can accept any kind of conductor and makes HelaCon Lux connectors also useful to connect devices that use flexible connecting cables such as control devices for smart home applications e.g. for blinds, fans, heating & cooling.

Features and benefits

- Best suitable to connect solid with flexible wire
- Combines push-in connector with lock / unlock spring mechanism
- For solid, stranded and fine-stranded conductors at lighting input from 0.5 to 2.5 mm²
- For solid wires from 0.75 up to 2.5 mm² on the installation side
- Use with typical housing current of 450 V / 24 A
- Either one or two inputs for solid conductor on installation side
- Very flexible application
- Tool-free application for easy, time-saving, safe connection
- Especially for overhead work and when wires are difficult to access



Quick installation and release of lights with HelaCon Lux.

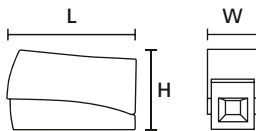
MATERIAL	Polyamide 6.6 (PA66)
Max Current	24 A
Max Voltage	450 V
Wire Range (VDE) in mm²	0.5 mm ² - 2.5 mm ²
Stripping Length	11 mm
Flammability	UL 94 V2
Operating Temperature	-5 °C to +100 °C

HF ✓

RoHS ✓



www.HellermannTyton.com/HelaConLux-cat22



HelaCon Lux side view

HelaCon Lux front view

TYPE	Drawing	Number of Conductors	Colour	Width (W)	Height (H)	Length (L)	Pack Cont.	Article-No.
HECL-1/1		2	Grey (GY)	8.1	15.8	20.8	100 pcs.	148-90022
HECL-2/1-Blister		3	White (WH)	9.5	15.8	20.8	10 pcs.	148-90058
HECL-2/1		3	White (WH)	9.5	15.8	20.8	100 pcs.	148-90023

All dimensions in mm. Subject to technical changes.
Minimum Order Quantity (MOQ) may differ from package content.



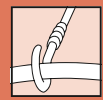
For product specific approvals and specifications please refer to the Appendix.



Add items to your watchlist!

www.HT.click/9-418





Cable Installation System

Cable Scout Cam

Cable Scout Cam is a professional visual inspection tool with useful accessories as hook, mirror and magnet. This product is compatible with Android/iOS/Windows/MAC operating systems. Version requirements: Android 4.2 and above; iOS 9.0 and above.

This camera system does not require support of Cable Scout rods as the 10 metre cable is semi rigid.

With the Cable Scout Cam you can transmit video images in real time and make video and photo recordings in confined spaces that are otherwise hard to look at.

The 8mm camera lens is splash proof according to IP 68 (lens tube only with supplied lens cover) and utilize for integrated lighting 8 mini LED lamps. This camera system is the perfect accessory for the Cable Scout+ System. Its portable and easy to use.

Features and benefits

- Accessory kit includes useful tools as hook, magnet and mirror and a watertight cap.
- System compatability: Android, iOS, Windows, Mac
- Splash proof according to IP 68 (lens tube only with supplied lens cover)
- View Angle: 70°
- Resolution: 2.0 megapixel
- Cable length: 10 m
- Cable type: Semi rigid
- Focal distance: 4-8 cm
- Camera head diameter: 8 mm
- Frequency: 2.4 Ghz
- dimmable LED Light



The HellermannTyton Cable Scout Cam, the easy WiFi Camera Inspection System.



8 mm camera lens with 8 mini LED lamps.



www.HellermannTyton.com/CableScoutCam-cat22

TYPE	Article-No.
Cable Scout Cam	897-90060

Subject to technical changes.



Camera accessories: Hook, splash proof lens cover, magnet, 90° mirror.



Add items to your watchlist!

www.HT.click/9-419





Cable Installation System - Cable Scout+

Cable Scout+ Rod Sets

Cable Scout+ is a professional cable routing tool which enables installers to easily route cables, saving time, even with the most challenging installations. The rods are manufactured from high quality Glass Reinforced Plastic (GRP), which enables a load carrying capacity of up to 200 kg. Cable Scout + offers a range of features which allows the installer to illuminate, grip, inspect and retrieve by using the range of accessories. Cable Scout+ is supplied in a useful durable bag which contains the rods and accessories all in one place.

Features and benefits

- Professional cable installation tool
- Enables time savings to be achieved even with challenging installations
- Rods manufactured from high quality Glass Reinforced Plastic (GRP)
- Load carrying capacity of 200 kg
- Range of accessories enabling the installer to illuminate, grip inspect and retrieve.
- Rods & accessories contained in a useful durable storage bag



All components stored neat and tidy with the Cable Scout+ Deluxe set.



Basic Set.



Handy Set.

TYPE	Description	Content Rods	Rod Capacity (m)	Content Accessories	Article-No.
CS-SB	Basic Set: designed to perform basic cable installation	10 rods x 1 m (white)	10.0 m	15 cm white flexi lead, gender changer, tuff hook, mini eye	897-90000
CS-SD	Deluxe Set: the most comprehensive set aimed for carrying out larger installations	2 rods x 1 m (white) 6 rods x 1 m (red) 2 rods x 1 m (blue)	10.0 m	15 cm white flexi lead, split ring, gender changer, tuff hook, mini eye, domed bullet, flat bullet, beam, single magnet	897-90001
CS-SH	Handy Set: Made up for fitting in a tool box	1 rod x 40 cm (white) 2 rods x 40 cm (red) 1 rod x 40 cm (blue)	1.6 m	40 cm white flexi lead, domed bullet, mini hook, mini eye	897-90003

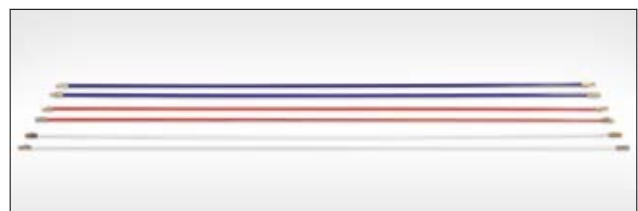
Subject to technical changes.

Cable Installation System - Cable Scout+

Cable Scout+ Rod Pairs



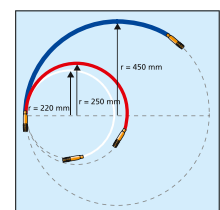
www.HellermannTyton.com/CableScout-cat22



Overview of the rods selection.

TYPE	Content Rods	Flexibility	Ø (D)	Article-No.
CS-P6	A pair of 1 m blue rods	strong	6.0	897-90007
CS-PN	A pair of 1 m nylon rods	fully flexible	5.0	897-90008
CS-P5	A pair of 1 m red rods	medium	5.0	897-90006
CS-P4	A pair of 1 m white rods	flexible	4.0	897-90005

All dimensions in mm. Subject to technical changes.



Overview on Cable Scout+ marginal bending radii.





Cable Installation System - Cable Scout+

Cable Scout+ Accessories

Cable Scout+ is supplied with a range of useful standard accessories. Additional accessories can be purchased separately. Cable Grips are designed to grip objects and provide a reliable and time saving method of securing cables & pipes to the rods. Just open the grip by compressing the braid, push the grip over the cable or pipe and release the grip, which will contract and establish a tight grip on the cable or pipe to the rod set.

Features and benefits

- Accessory kit includes a lot of useful tools
- User can inspect and retrieve
- Cable grips allow a very fast way to pull cables
- Whisk glides smoothly over obstacles
- Strong magnet lifts metallic tools up to 2.5 kg weight



Cable Grips are available in five different sizes to attach a wide range of cable diameters.



Cable Scout+ and Grip.



The whisk allows the rod to glide over obstructions easily.



Cable Pulling Lubricant reduces friction during the installation of cables.

TYPE	Drawing	Description	Article-No.
CS-SA		Accessory Kit: Includes a 15 cm long flexi lead, gender changer, mini hook, tuff hook, mini eye, split ring, round bullet, flat bullet, single magnet, chain	897-90004
CS-ACG1630		Cable Grip: Suitable for diameter 1.6 - 3.0 cm	897-90027
CS-ACG0415		Cable Grip: Suitable for diameters 0.4 - 1.5 cm	897-90026
CS-AWL		Large whisk: designed to glide over more uneven surfaces such as roof tiles.	897-90019
CS-AW		Whisk: Enables cables to glide over rough and uneven surfaces.	897-90018
CS - CPL		Cable pulling lubricant: provides reliable protection against cable jacket damage by reducing the frictional resistance up to 80 %.	897-90031

Subject to technical changes.



Add items to your watchlist!

www.HT.click/9-421





Downlight Covers - For Residential Buildings

SpotClip-I

SpotClip-I is a unique solution developed for mounting halogen and LED downlights in plasterboard and ceiling tiles. This innovative 4-leg downlight cover offers outstanding safety and installation features and is suitable for use in both panelling and plasterboard ceilings. SpotClip-I is made from non-flammable, fibreglass reinforced polyamide, offering a range of thermal and mechanical benefits. It can be installed both during or after construction. The SpotClip-I downlight cover is an optimal solution for a wide variety of applications in existing and new buildings. It can be used in ceiling cavities with diameters of 62 to 90 mm and ensures the safety distance between the downlight, insulation foil and insulation material. SpotClip-I reduces the risk of damage caused to insulation material as a result of overheating and heat accumulation, while potentially increasing the life span of light bulbs.



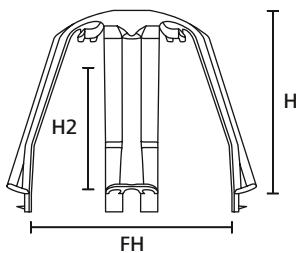
www.HellermannTyton.com/SpotClip-I-cat22



SpotClip-I ensures reliability and safety of lighting installations.



SpotClip-I: 4-leg downlight cover.



SpotClip-I

MATERIAL	Polyamide 6.6, glass-fibre reinforced (PA66GF15%)
Operating Temperature	-20 °C to +120 °C
Flammability	material rated UL94 V0, Glow Wire Test (GWT) 960 °C

HF ✓

RoHS ✓

TYPE	Hole Ø (FH) min.	Hole Ø (FH) max.	Height (H)	Height (H2)	Colour	Pack Cont.	Article-No.
SpotClip-I	62.0	90.0	82.0	70.0	Black (BK)	10 pcs.	148-00076

All dimensions in mm. Subject to technical changes.
Minimum Order Quantity (MOQ) may differ from package content.





Downlight Covers - For Residential Buildings

SpotClip-I

Features and benefits

- Ensures safety distance between downlight, damp-proof foil and insulation material
- Flexible installation both during or after construction
- Additional spikes at the end of the legs prevent SpotClip shifting
- Suitable for fixing into holes from 62 - 90 mm diameter
- Maximum downlight height 70 mm
- Intelligent cable routing with eyelet at the top
- Prevents damage to insulation material caused by overheating
- Remains rigid even at higher temperatures
- Faster and easier installation and replacement of bulbs
- Tested according to EN 60598-1, EN 60598-2-2, and NF C 15100



Cable retainers hold the downlight supply cable in place.



Additional retaining spikes prevent SpotClip shifting and displacement during mounting.



Support wings prevent SpotClip shifting.



1. Use the delivered tool to install SpotClip in the fixing hole as easy as possible.



2. Push the spikes into the plasterboard to prevent shifting and disconnect the tool.



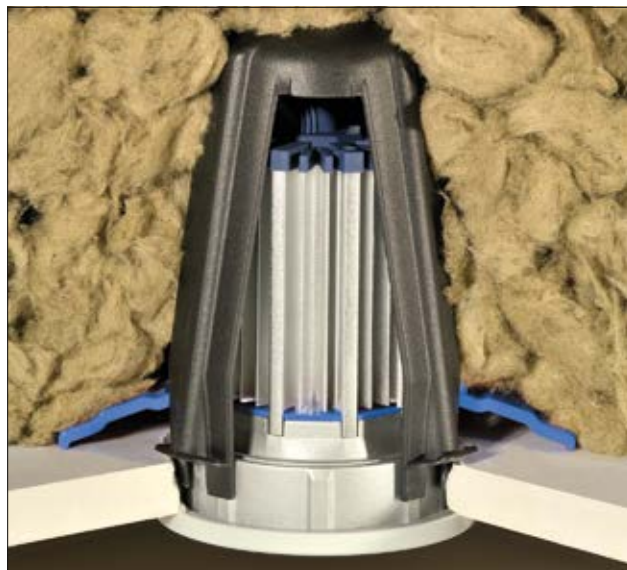
3. Start the installation of the downlight in a safe way.



Downlight Covers - For Residential Buildings

SpotClip-II

SpotClip-II has been developed for use with large halogen and LED spotlights. Additional, flexible legs allow use with blown-in insulation material. The legs can be easily removed to facilitate cable installation. The downlight cover can be inserted easily into the ceiling cavity and offers valuable savings on installation time. SpotClip creates a reliable gap between the light bulb and the insulation material, reducing the risk of overheating and heat accumulation.



The additional 4 legs on SpotClip-II allow use with blown-in cavity insulation.



www.HellermannTyton.com/SpotClip2-cat22

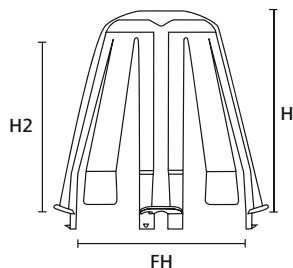


SpotClip-II downlight cover with 4 additional flexible legs.



SpotClip-II shown using standard insulation wool.

MATERIAL	Polyamide 6.6, glass-fibre reinforced (PA66GF15%)
Operating Temperature	-20 °C to +120 °C
Flammability	material rated UL94 V0, Glow Wire Test (GWT) 960 °C



SpotClip-II

TYPE	Hole Ø (FH) min.	Hole Ø (FH) max.	Height (H)	Height (H2)	Colour	Pack Cont.	Article-No.
SpotClip-II	62.0	90.0	107.0	95.0	Black (BK)	10 pcs.	148-00098

All dimensions in mm. Subject to technical changes.
Minimum Order Quantity (MOQ) may differ from package content.





Downlight Covers - For Residential Buildings

SpotClip-II

Features and benefits

- SpotClip-II has been developed for bulbs up to 95 mm height
- Ensures safety distance between downlight, damp-proof foil and insulation material
- Flexible installation during or after construction
- Additional spikes at the end of the legs prevent SpotClip shifting
- Suitable for fixing into holes from 62 - 90 mm diameter
- Remains rigid even at higher temperatures
- Flame retardant material according to UL94-V0
- Improves life span and reliability of lamps
- Tested according to EN 60598-1, EN 60598-2-2, and NF C 15100



SpotClip-I and SpotClip-II for maximum downlight heights of 70 mm and 95 mm respectively.



Retaining spikes and support wings hold SpotClip-II in the required position.



1. Use the delivered tool to install SpotClip-II in the fixing hole as easy as possible.



2. Push the spikes into the plasterboard to prevent shifting and disconnect the tool.



3. Start the installation of the downlight in a safe way.



Downlight Covers - For Residential Buildings

SpotClip-III

This further development of SpotClip-II allows the use of an existing power supply. In the case of a spot without power supply, this added straight leg can be cut easily and removed manually. It helps to avoid contact between the insulation and the external power supply of the spot. SpotClip-III will fit to all standard applications with solid insulation material. It is delivered flat with flexible legs. They can be locked within seconds. The height of this mounting device is depending on the fixing hole diameter. SpotClip-III is suitable for LED and Halogen downlights with a fixing hole diameter from 62 mm to 120 mm. The maximum product height is 130 mm depending on the fixing hole diameter.



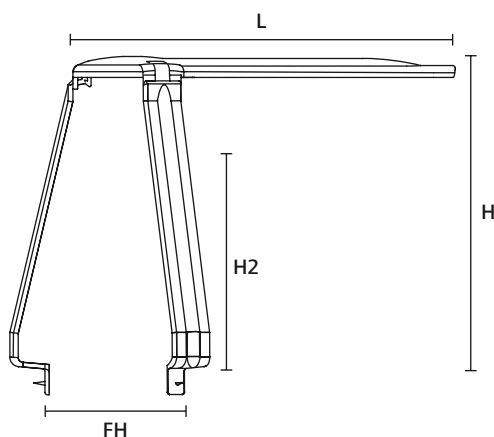
SpotClip-III for downlight application with external power supply.



www.HellermannTyton.com/SpotClip3-cat22



SpotClip-III downlight cover- Easy-to-mount legs with one click folding function.



SpotClip-III

MATERIAL	Polyamide 6.6, heat stabilised (PA66HS)
Operating Temperature	-40 °C to +105 °C
Flammability	UL 94 V2, self-extinguishing, Glow Wire Test (GWT) 960 °C



TYPE	Hole Ø (FH) min.	Hole Ø (FH) max.	Height (H)*	Height (H2)*	Length (L)	Colour	Pack Cont.	Article-No.
SpotClip-III	62.0	120.0	130.0	115.0	160.0	Black (BK)	5 pcs.	148-00121

All dimensions in mm. Subject to technical changes. Minimum Order Quantity (MOQ) may differ from package content. * For fixing hole diameter 65 mm.



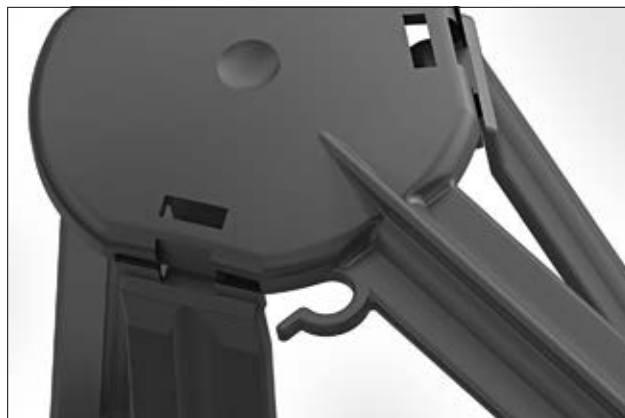


Downlight Covers - For Residential Buildings

SpotClip-III

Features and benefits

- A mounting support for the external power supply unit provides more space for the downlight installation
- Ensures safety distance between the downlight, damp-proof foil and insulation material
- Flexible installation during or after construction
- Additional spikes at the end of the legs prevent SpotClip shifting
- Prevents damage to insulation material caused by overheating
- Flame retardant material according to UL94 V2
- Improves life span and reliability of lamps
- Faster and easier installation and replacement of bulbs
- Tested according to EN 60598-1, EN 60598-2-2, and NF C 15100



One cable retainer to fix the power supply cable at the top.



Click and fix mounting mechanism for the 3 flexible legs.



New leg design combined with retaining spikes for high stability throughout installation.



1. Insert the mounting support through the fixing hole.



2. Press the spikes into the plasterboard to ensure stability of SpotClip-III.



3. Install the downlight.



4. Connect the power supply unit and fix the cable in the cable retainer.



Downlight covers - For residential buildings

SpotClip-IV-Slim

The SpotClip-IV-Slim ensures a safety distance between downlight, damp-proof foil and insulation material and can thereby prevent the risk of overheating and premature deterioration of the lighting. It is developed for safe use and installation of ultra-flat LED lights and suitable for ceiling cut-outs with a recessed diameter of 73 to 83 mm. Four additional and flexible tabs prevent contact between loose insulation material and the luminaire, making it ideal for use with bulk and blown insulation materials. Removable tabs allow to accommodate a transformer or to facilitate cable installation. The SpotClip-IV-Slim can be installed during or after construction. It is tested according to EN 60598-1, EN 60598-2-2, and NF C 15100.

Features and benefits

- Adaptation and dimensioning to the booming LED lighting market
- Reduction of size of more than 50%
- Simplify installation in tight spaces
- Suitable only for extra flat LED recessed luminaires



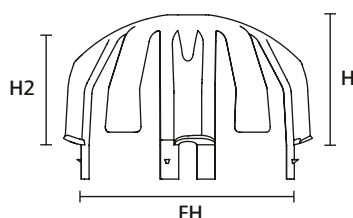
SpotClip-IV-Slim - Application with injected wool.



Application on the ceiling.



SpotClip-IV-Slim shown using standard insulation wool/ glass wool.



SpotClip-IV-Slim

MATERIAL	Polyamide 6.6, glass-fibre reinforced (PA66GF15%)
Operating Temperature	-20 °C to +120 °C
Flammability	material rated UL94 V0, Glow Wire Test (GWT) 960 °C



TYPE	Hole Ø (FH) min.	Hole Ø (FH) max.	Height (H)	Height (H2)	Colour	Pack Cont.	Article-No.
SpotClip-IV-Slim	73.0	83.0	50.0	43.0	Black (BK)	10 pcs.	148-00146

All dimensions in mm. Subject to technical changes.
Minimum Order Quantity (MOQ) may differ from package content.



The ideal insulating tape for 1001 very cold nights.

So cool. On icy construction sites that really put the endurance of people and materials to the test – that's where HelaTape Flex 1000+ premium insulating tape really shows its strengths. Developed and produced by us, it adheres despite condensation and stays pliable down to -18 °C. A low temperature record.

www.HellermannTyton.com/tape

MADE FOR REAL 





Downlight Covers - For Residential Buildings

SpotClip-Box

SpotClip-Box has been designed especially for passive houses. This innovative downlight cover prevents contact between insulation material and the bulb. The insulation remains continuous, thus avoiding any breach in the integrity of insulation in the passive house. SpotClip-Box is suitable for LED and compact fluorescent-lamp downlights with a diameter of up to 75 mm and a maximum height of 130 mm.

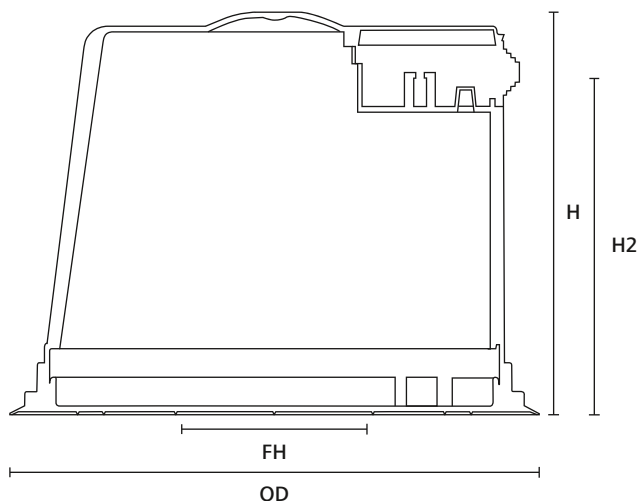
It is available as a complete kit, including HelaCon Lux wire connectors and all necessary mounting components.



SpotClip-Box - Especially designed for passive house applications.



View inside the SpotClip-Box.



SpotClip-Box

MATERIAL	Polyamide 6.6, heat stabilised (PA66HS)
Operating Temperature	-40 °C to +105 °C
Flammability	UL 94 V2, self-extinguishing, Glow Wire Test (GWT) 960 °C



TYPE	Hole Ø (FH) min.	Hole Ø (FH) max.	Height (H)	Height (H2)	Outside Ø (OD)	Colour	Pack Cont.	Article-No.
SpotClip-Box FR	75.0	75.0	140.0	130.0	184	Black (BK)	1 pc.	148-00123

All dimensions in mm. Subject to technical changes.
Minimum Order Quantity (MOQ) may differ from package content.





Downlight Covers - For Residential Buildings

SpotClip-Box

Features and benefits

- Suitable for all types of suspended ceilings and a variety of insulation materials
- Ensures safety distance between the downlight, damp-proof foil and insulation material
- Additional spikes at the bottom of the product prevent shifting during installation
- Connection without the need for screws, with HelaCon Lux connectors included
- Prevents damage to insulation material caused by overheating
- Improves life span and reliability of lamps
- Quick and easy one-click installation with bayonet mechanism
- Can also be used to install downlights and speakers in concrete ceilings constructed on-site
- Tested according to EN 60598-1, EN 60598-2-2, and NF C 15100



SpotClip-Box is a downlight cover supplied as a complete kit.



HelaCon Lux connected to the power supply.



Seal the complete SpotClip-box using the end cap and grommet.



1. Mount the bottom plate over the drilled fixing hole and install the downlight housing.



2. Connect the power supply to the lamp socket with the HelaCon Lux wire connectors included and lock it with the bayonet coupling.



3. Connect the bulb to the socket and lock into the correct position.



4. Insulation material can now be applied.



Downlight Covers - For Industrial Buildings

SpotClip-Kit

SpotClip-Kit has been designed for use primarily in industrial and office buildings for downlights with larger dimensions. The packaging kit consists of three legs and a mounting plate. The legs are available in two different lengths (150 mm and 240 mm). SpotClip-Kit has six selectable fixing positions in the mounting plate, making it suitable for downlights of differing dimensions. SpotClip-Kit 150 is suitable for downlights with a diameter from 100 mm up to 270 mm and with a maximum height of 140 mm. SpotClip-Kit 240 is suitable for downlights with a diameter from 170 mm up to 310 mm and with a maximum height of 230 mm. SpotClip-Kit can be combined with SpotClip-Plate.



SpotClip-Kit 150 used in a suspended ceiling.

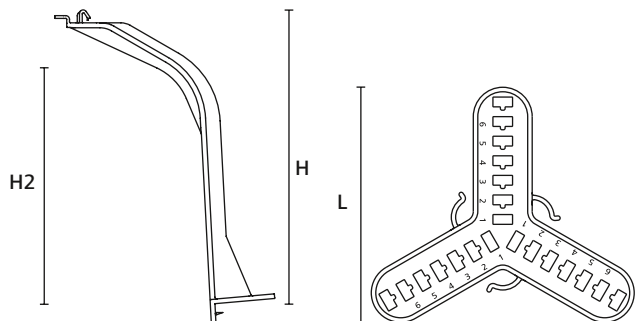
MATERIAL	Polyamide 6.6, heat stabilised (PA66HS)
Operating Temperature	-40 °C to +105 °C
Flammability	UL 94 V2, self-extinguishing, Glow Wire Test (GWT) 960 °C



SpotClip-Kit 240 applied with a fixed sheet of insulating material.



www.HellermannTyton.com/SpotClip-Kit-cat22



SpotClip-Kit 150 leg

SpotClip-Kit mounting plate



SpotClip-Kit downlight cover is available in two sizes.

TYPE	Hole Ø (FH) min.	Hole Ø (FH) max.	Height (H)	Height (H2)	Length (L)	Colour	Pack Cont.	Article-No.
SpotClip-Kit 150	100.0	270.0	157.0	140.0	120.0	Black (BK)	1 pc.	148-00119
SpotClip-Kit 240	170.0	310.0	247.0	230.0	120.0	Black (BK)	1 pc.	148-00120

All dimensions in mm. Subject to technical changes.
Minimum Order Quantity (MOQ) may differ from package content.





Downlight Covers - For Industrial Buildings

SpotClip-Kit

Features and benefits

- Installation from the top or bottom in all types of suspended ceilings
- Ensures safety distance between downlight, damp-proof foil and insulation material
- Flexible installation during or after construction, suitable for use in existing and new buildings
- Additional spikes at the end of the legs prevents shifting during installation
- Intelligent cable routing with eyelet at the top
- Prevents damage to insulation material caused by overheating
- Heavy-duty leg design prevents long-term deformation
- Improves life span and reliability of the lamp
- Tested according to EN 60598-1, EN 60598-2-2, and NF C 15100

SpotClip-Kit 150

Slot	Fixing hole diameter Ø min. – Ø max.
1	100–170
2	120–190
3	140–210
4	160–230
5	180–250
6	200–270

All dimensions in mm. Subject to technical changes.

SpotClip-Kit 240

Slot	Fixing hole diameter Ø min. – Ø max.
1	170–210
2	190–230
3	210–250
4	230–270
5	250–290
6	270–310

All dimensions in mm. Subject to technical changes.



SpotClip-Kit 150 is used for fixing hole diameters from 100 mm to 270 mm.



SpotClip-Kit 240 is used for fixing hole diameters from 170 mm to 310 mm.



The feet position can be very easily adjusted using the click and release system.



A robust design combined with retaining spikes ensures high stability system.



SpotClip-Kit 150 is delivered as a self-assembly set.



SpotClip-Kit 240 is delivered as a self-assembly set.



1. Squeeze the legs and insert the SpotClip-Kit through the fixing hole.



2. Press the retaining spikes into the plasterboard to secure the legs.



3. Install the downlight according to the manufacturer's user manual.



4. Connect the downlight to the power supply and fix the cable into the routing eyelet.



Downlight Covers - For Industrial Buildings

SpotClip-Plate

SpotClip-Plate has been developed especially for installation in suspended grid ceilings in order to avoid damage and cracks in the ceiling plates caused by the weight of heavy downlights. The product dimensions of 592 mm x 592 mm mean that it fits perfectly into standard grid ceilings with a width of 600 mm. The pre-cut design makes it suitable for installation of the most commonly used downlights with a diameter from 75 mm to 314 mm.

Please check if your grid ceiling size corresponds to the side length of 600 mm. Depending on the manufacturer and country this can vary between 600 mm and 625 mm.



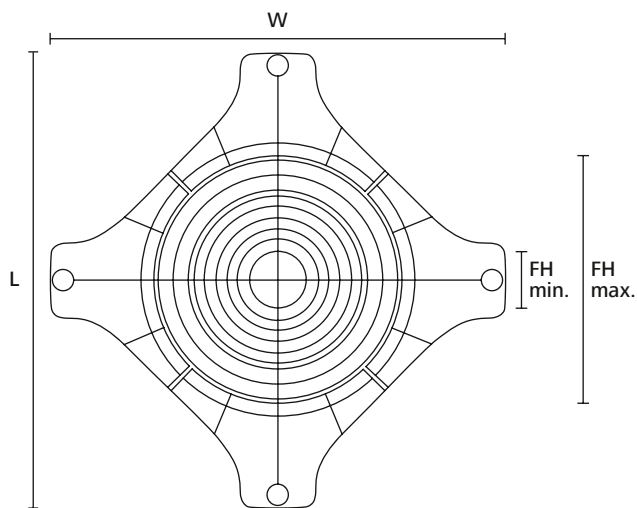
SpotClip-Plate has been developed for applications with heavy downlights in suspended grid ceilings.



www.HellermannTyton.com/SpotClip-Plate-cat22



SpotClip-Plate fits perfect into standard grid ceilings with a width of 600 mm.



SpotClip-Plate

MATERIAL	Polyamide 6.6, heat stabilised (PA66HS)
Operating Temperature	-40 °C to +105 °C
Flammability	UL 94 V2, self-extinguishing, Glow Wire Test (GWT) 960 °C



TYPE	Hole Ø (FH) min.	Hole Ø (FH) max.	Length (L)	Width (W)	Colour	Pack Cont.	Article-No.
SpotClip-Plate 600	75.0	314.0	592.0	592.0	Black (BK)	10 pcs.	148-00117

All dimensions in mm. Subject to technical changes.
Minimum Order Quantity (MOQ) may differ from package content.





Downlight Covers - For Industrial Buildings

SpotClip-Plate

Features and benefits

- SpotClip-Plate distributes the load of the downlight equally across the suspended ceiling construction
- Flexible installation during or after construction, useful for both existing and new buildings
- Remains rigid even at higher temperature
- Flame retardant material according to UL94-V2
- Improves life span and reliability of lamps
- Faster and easier installation and replacement of bulbs
- Tested according to EN 60598-1, EN 60598-2-2, and NF C 15100



SpotClip-Plate comes in 16 pre-cut fixing hole diameter sizes.



Choose the required diameter and cut with a handsaw.



Use the SpotClip-Plate as a stencil to cut the fixing hole into the ceiling plate.



1. Place the SpotClip-Plate in position.



2. Cut the ceiling plate.



3. Insert the downlight through the cutted hole.



4. Mount the downlight.



SpotClip-Plate - Further Accessories

SpotClip-Caps

SpotClip-Plate can be used to ensure the safety distance between the downlight and insulation material. We offer three different solutions to prevent damage to insulation material caused by overheating of the bulb.

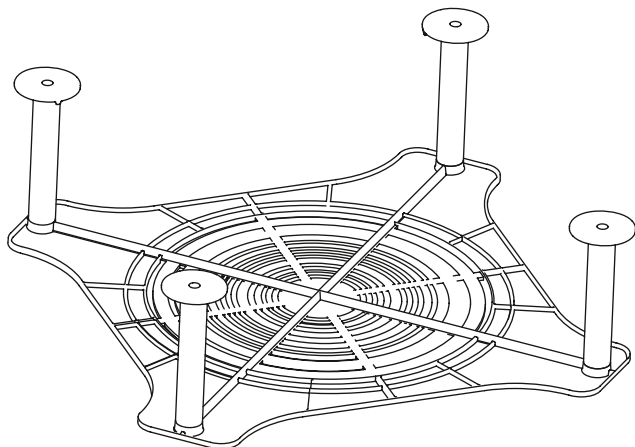
1. Place two plates on top of each other and use IRL standard tubes between these to achieve the required distance
2. Use SpotClip-Caps and IRL standard tubes to achieve the required distance between the plate and insulation material
3. Combine SpotClip-Kit with SpotClip-Plate for a fast solution



SpotClip-Plate with insulation material - Plate-to-Plate solution.



SpotClip-Plate combined with SpotClip-Caps.



SpotClip-Plate in combination with IRL standard tubes and SpotClip-Caps



SpotClip-Plate combined with SpotClip-Kit, shown with insulation material.



SpotClip-Plate - Further Accessories

SpotClip-Caps

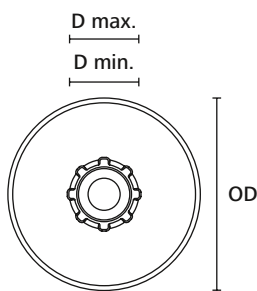
Features and benefits

- Different solutions to ensure safety distance between downlight, damp-proof foil and insulation material
- SpotClip-Plate can be combined with SpotClip-Kit, SpotClip-Caps or placed on top of each other with IRL standard tubes to ensure the required distance
- Prevents damage to insulation material caused by overheating
- Improves life span and reliability of lamps
- Faster and easier installation and replacement of bulbs



SpotClip-Caps offered in a pack of 40 pieces.

MATERIAL	Polyamide 6.6, heat stabilised (PA66HS)
Operating Temperature	-40 °C to +105 °C
Flammability	UL 94 V2, self-extinguishing, Glow Wire Test (GWT) 960 °C



SpotClip-Cap

TYPE	Outside Ø (OD)	Ø D min.	Ø D max.	Colour	Pack Cont.	Article-No.
SpotClip-Caps 16/25	60.0	16.0	22.0	Black (BK)	40 pcs.	148-00102

All dimensions in mm. Subject to technical changes.
Minimum Order Quantity (MOQ) may differ from package content.



Add items to your watchlist!
www.HT.click/9-437